

NEGAHBAN

NEGAHBAN FIRE & SAFETY Co. Ltd.



Office: No.2, East Kaveh Alley, South Kaveh Exit, Sadr Highway (East), Tehran
Postal Code:1939747622

Tel: (+98) 21 22630120 - 22630166 - 22630422 - 22630484 - 22630495
Fax: (+98) 21 22639198

Factory: No.110/1, West 9th st., Farvardin Blvd., Safadasht Industrial Zone.
Tel: (+98) 21 65420119 - 65420124

www.negahbanfire.com info@negahbanfire.com



BestGraphic.com
0912 888 6100



NEGAHBAN

FIRE & SAFETY Co. Ltd.

www.negahbanfire.com





NEGAHBAN

FIRE & SAFETY Co.



NEGAHBAN

FIRE & SAFETY Co.

About us:

Negaiban Fire & Safety Co. established in 1981 as the first Iranian manufacturer and supplier of industrial firefighting equipment. Since then it has developed continuously and become one of the most reputable Iranian firefighting companies in the field of oil, gas and petrochemical industries.

Along with domestic manufacturing, Negaiban has been in connection with international companies able to supply wide range of firefighting products for oil industry.

As the old member of Society of Iranian Petroleum Industries Equipment Manufacturers (S.O.P.I.E.M), Negaiban is now included in the approved vendor list of the most renowned contractors and end user companies.

Negaiban as the pioneer and knowledge enterprise company is honored that its products have been installed in most sites and plants in Iran. Satisfaction of clients during the years has caused Negaiban to move forward manufacture updated firefighting products and give excellent after sales service.



SAFETY SHOWER & EYE WASH

SAFETY SHOWER & EYE WASH

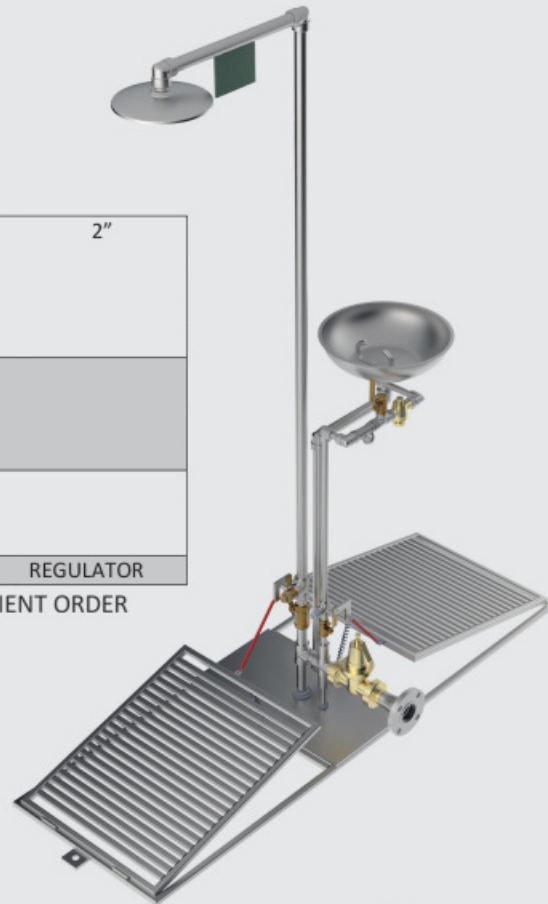
An emergency eyewash and safety shower station are essential equipment for every laboratory and outdoor that uses chemical and hazardous substances needs. Negahban Co. produces various types of safety shower and eyewash such as follows:

- Combine Safety Shower & Eyewash
- Eyewash
- Portable Eyewash

PIPE SIZE:	1"	1 1/2"	2"
PIPE MATERIAL:	STAINLESS STEEL	GALVANIZED STEEL	
HAND HELD DIFFUSER:	YES	NO	
DRAIN:	YES	NO	
OPERATION:			
SHOWER:	FOOT PEDAL	PULL HANDLE	
EYEWASH:	FOOT PEDAL		
BOWL MATERIAL:	STAINLESS STEEL		
HEAD SHOWER MATERIAL:	STAINLESS STEEL		
C/W:	SAFETY SIGN	STRAINER	REGULATOR

*: OTHER SIZES AND SPECIFICATION CAN BE FOLLOWED RECEIVING CLIENT ORDER

NF-SSE

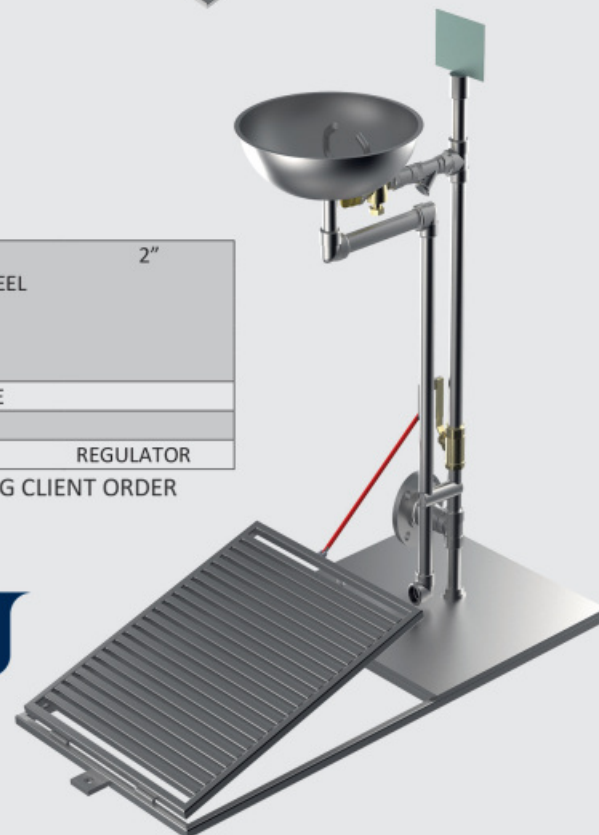


SAFETY EYE WASH

PIPE SIZE:	1"	1 1/2"	2"
PIPE MATERIAL:	STAINLESS STEEL	GALVANIZED STEEL	
HAND HELD DIFFUSER:	YES	NO	
DRAIN:	YES	NO	
OPERATION:			
SHOWER:	FOOT PEDAL	PUSH HANDLE	
EYEWASH:			
BOWL MATERIAL:	STAINLESS STEEL		
C/W:	SAFETY SIGN	STRAINER	REGULATOR

*: OTHER SIZES AND SPECIFICATION CAN BE FOLLOWED RECEIVING CLIENT ORDER

NF-EW



NEGAHBAN

NEGAHBAN FIRE & SAFETY Co.

